



FITTING TIPS FOR S1 LED REAR TAIL LIGHTS

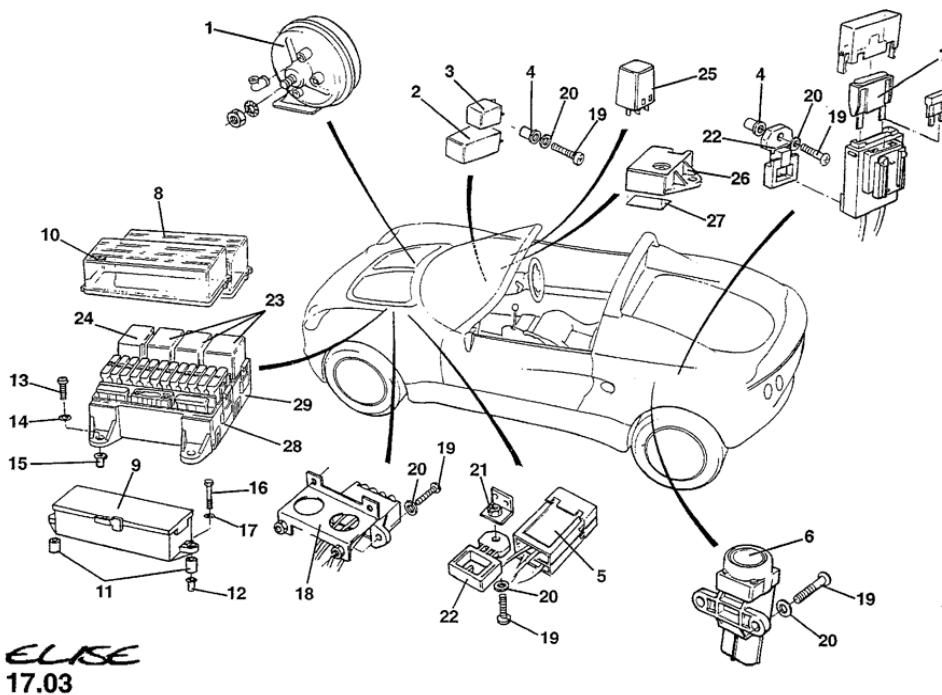
BEFORE REMOVING YOUR ORIGINAL LAMPS TEST THESE BY CONNECTING TO THE PLUG CONNECTORS THAT ARE PRESENTLY ATTACHED TO THE ORIGINAL TAIL LIGHT AND INDICATOR UNITS

The new loom provided is marked FOG Lamp and REVERSING Lamp.

The original Fog and Reversing Lamp connectors are located in the left hand side of the boot box/engine bay, the Fog Lamp wire is a red with a yellow tracer the Reversing Lamp wire is a green with a brown tracer

The indicators will flash fast without the LED Indicator Flasher Unit installed but **DO NOT** install the new relay until the LED's are installed/connected; the new relay will blow if all front and rear standard indicator bulbs are illuminated.

The indicator Flasher Unit is under the dash board passenger side number 5 in the picture.



WHEN YOU ARE SATISFIED ALL CONNECTIONS ARE CORRECT; REPLACE WITH THE NEW RELAY PROVIDED

You will need to open the original mounting holes shown in the picture by a few mm to locate the slightly wider LED lamp fixings. Use either a small file or a 6mm drill bit.



Make sure you have the lamp the correct way up (so that the numbers can be read).

DO NOT OVERTIGHTEN AS THE SCREWS ARE ONLY INTO PLASTIC.

THESE UNITS REPLACE THE ORIGINAL FOG AND REVERSING LAMPS BUT YOU CAN STILL USE THEM IF YOU 'T' INTO THE WIRING INSTEAD OF COMPLETE DISCONNECTION.